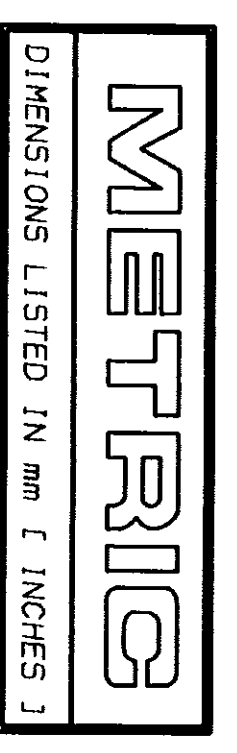
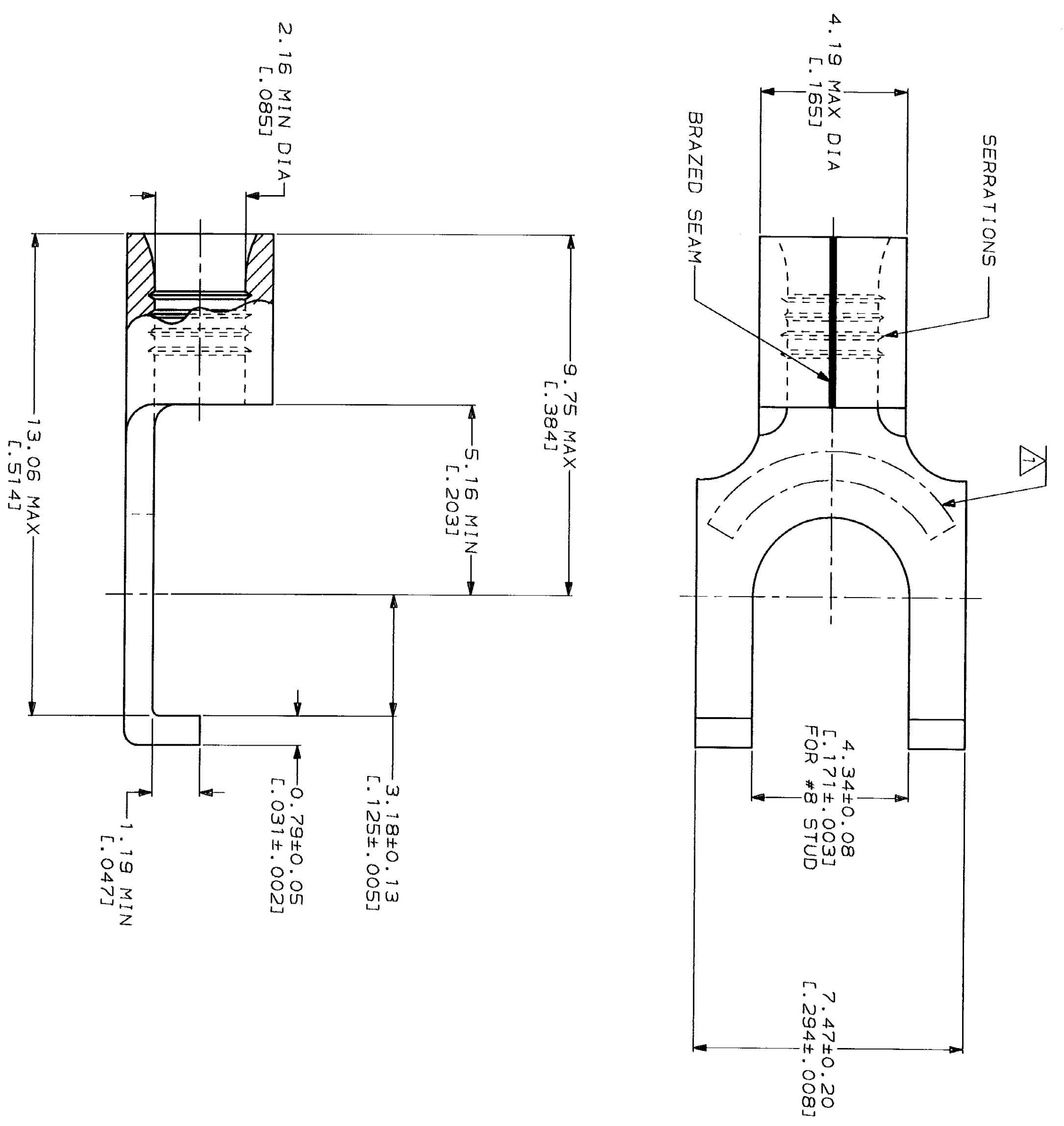


LOC	DIST	ZONE	LTR	DESCRIPTION	DATE	APPRO
G	14	P	D	REV. RDRW, 2 SM PKG PER 0720-0040-93	4-8-93	18 DAB



AMP WIRE RANGE 16-14 AWG SOLID OR STRANDED	UL E13288 Listed 16-14 AWG SOLID OR STRANDED
LR7189 Certified 16-14 AWG SOLID OR STRANDED	MILITARY P/N AND CLASS NOT APPLICABLE

STAMP AMP 16-14* APPROX AS SHOWN



**AMP INCORPORATED
CUSTOMER SERVICE SYSTEMS**

FOR ADDITIONAL PRODUCT INFORMATION OR COPIES OF DRAWINGS AND TECHNICAL DOCUMENTS	PRODUCT INFORMATION CENTER 1-800-522-6752
FOR APPLICATION TOOLING INFORMATION	TOOLING ASSISTANCE CENTER 1-800-722-1111
FOR ORDER ENTRY	1-800-526-5142

MAX RECOMMENDED OPERATING
TEMPERATURE:
170°C MAX

VOLTAGE RATING:
NOT APPLICABLE

WIRE CROSS SECTIONAL AREA RANGE:
1.04-2.62mm² [2,050-5,180] CIR MILS
SOLID OR STRANDED

DO NOT SCALE PRINT.
UNLESS SPECIFIED
DIMENSIONS IN mm [INCHES]
TOLERANCES ON:
2 PLC DEC ±
3 PLC DEC ±
ANGLES ±

MATERIAL
COPPER PER
ASTM B-152
ANNEALED

FINISH
TIN PLATE
0.00254 [L.000100] MIN
THK PER MIL-T-10727

DR 4-8-93
TA BRINKMAN

CHK 4-8-93
DA PATTERSON

APPD 4-8-93
DE MILLER

APPD 4-8-93
JL MECKLEY
PRODUCT SPEC

QUANTITY	PACKAGING TYPE	PART NO
100	LOOSE PIECE, BOX	8-320856-1
5000	ON TAPE	2-320856-1
---	LOOSE PIECE	320856

AMP
AMP Incorporated
Harrisburg, PA 17105-3608

TERMINAL, FLANGED
SPADE, SOLI STRAND™

SIZE	CAGE CODE	DRAWING NO
SCALE	00779	G-320856
SCALE	10:1	SHEET
		1 OF 1